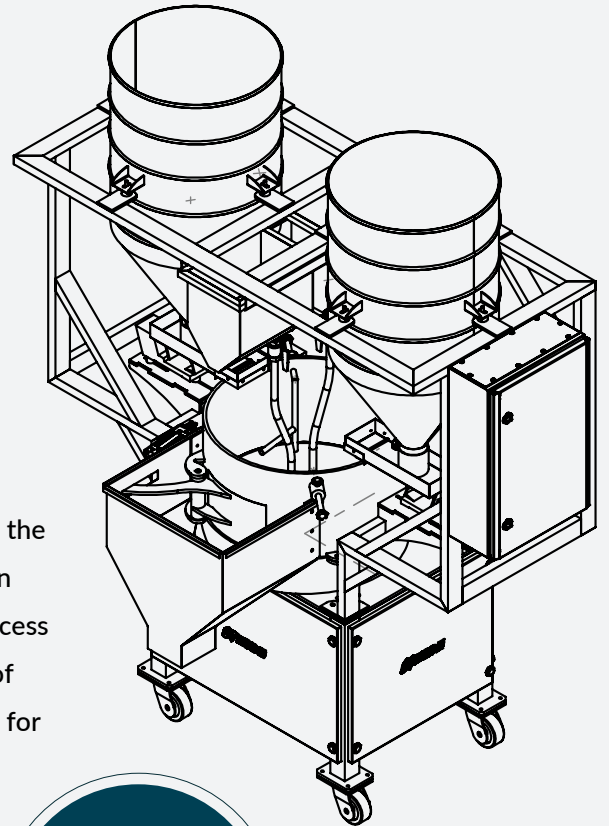


Full Auto. Pelleting Machine

SD-9010

In addition to film coating, a substantial quantity of powder is introduced during the coating process. This addition significantly alters the shape and overall dimensions of the raw seeds, transforming them into round pills or pellets. This process, which involves the incorporation of a considerable amount of powder to the seed kernel, is commonly referred to as "weighting." Depending on the specific binder and powder utilized, the cycle time for this process may extend to 5-10 minutes or even more. The primary purpose of pelletizing is to prepare small grains, ensuring they are well-suited for use in automatic planters when deployed in the field.



We offer also with SD-9110 a bigger capacity!

Key-Features:

The covering process accommodates a maximum of 10~15 kg of shelled seeds, with the capacity calibrated using an electronic seed scale. The machine ensures high-precision dosing of the dressing, enabling meticulous control over the coating process. This control is facilitated through the intuitive touch screen interface, which also allows for seamless integration with your internal computer network.

The machine boasts a user-friendly operating concept, streamlining the formulation management process. It offers an interface for remote maintenance and diagnostics, enhancing overall convenience.

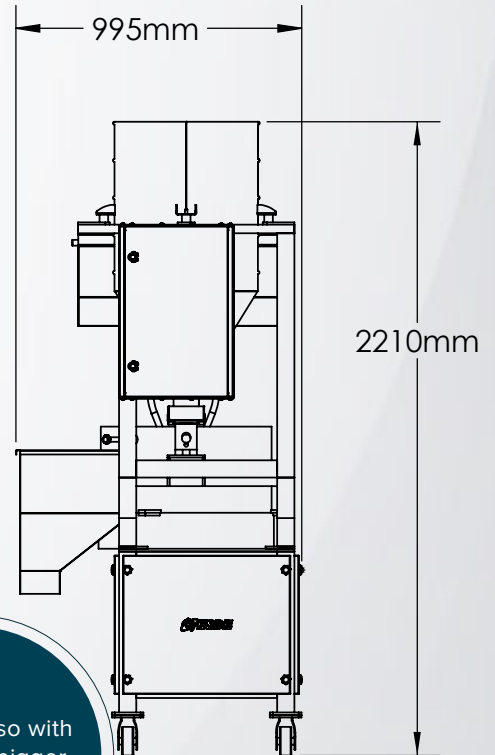
Additionally, its modular structure is expandable and can be readily adapted to meet specific customer requirements. Accessibility for maintenance purposes is maximized, as all machine components are easily reachable, simplifying upkeep and servicing.





FULL AUTO. PELLETING MACHINE

SD-9010



We offer also with SD-9110 a bigger capacity!

Capacity:

Max. 10-15 kg encrusted seed depending on density

Pelletizing is available in two options: Pellet size of 3.0-3.5 mm, yielding approximately 0.5~0.7 million pellets per batch. Pellet size of 2.0-2.5 mm, resulting in around 1.0~1.5 million pellets per batch.

Dimensions:

1850 x 995 x 2210 mm (LxWxH)
Diameter coater 600 mm

Water Connections:

20 mm

Noise emission:

± 75 dB (A) (measured without product)

Materials:

Electrostatic paint on steel

Electrical connection

220- 240 V (± 5%), 1 phases + 0 and ground,
50 / 60 Hz (other values available on request)
Max. power consumption: 4 kW
Connection value: 16 A

Weight:

Net : ± 440kg
With Packaging : ± 490kg



Including:

Liquid dosing unit
Powder dosing unit

Options:

Dryer