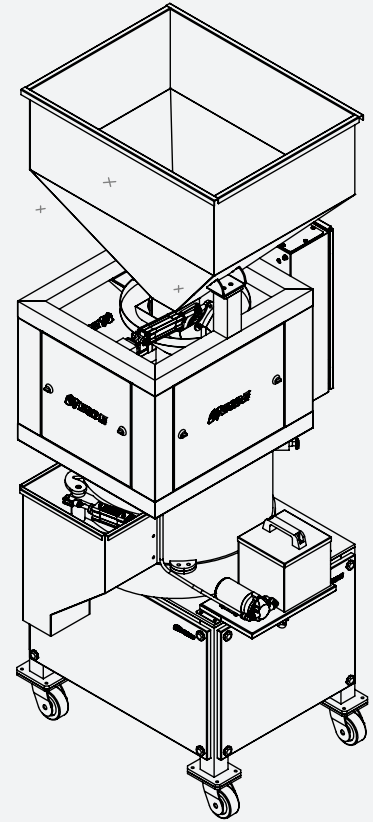


Full Auto. Coating Machine

SD-8110

The SD-8110 is a fully automated machine that seamlessly executes every step of the seed coating process. It efficiently handles tasks such as filling the mixing chamber, precise pesticide dosing, initiating the mixing phase, and ultimately, complete discharge of the fully coated seeds. Once a batch is coated, it smoothly transitions to the next, all without the need for manual intervention. This advanced seed coater with an integrated dryer is purpose-built for the automatic and simultaneous coating and drying of vegetable and field crop seeds. Its design caters to the specific needs of commercial processing plants, making it a valuable asset in the seed production industry.



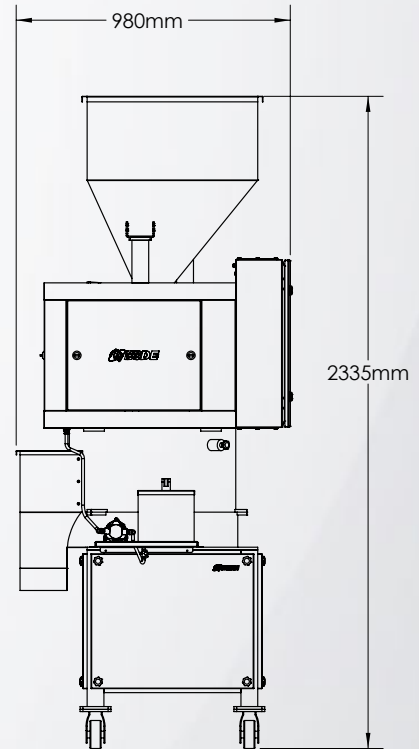
Key-Features:

- Designed for automatic seed coating in production or growing stations.
- Automatically extracts the required quantity of seeds from the silo.
- Precisely measures and incorporates the necessary liquid material for thorough coating.
- Autonomously discharges the fully coated seeds at the end of the process.
- Can repeat this cycle for the desired number of batches, offering efficiency and reliability in seed coating operations.





FULLAUTO.COATING MACHINE SD-8110



Capacity:

± 1 kg– 10 kg

Dimensions:

980 x 975 x 2335 mm (LxWxH)
Diameter coater 600 mm

Connections:

Noise emission:

± 75 dB (A) (measured without product)

Materials:

Electrostatic paint on steel

Electrical connection

200 - 240 V (± 5%), 1 phases + 0 and ground,
50 / 60 Hz (other values available on request)
Max. power consumption: 3 kW
Connection value: 16 A

Weight:

Net: ± 320kg
With Packaging: ± 350kg



Including:

Optional:

Liquid dosing unit