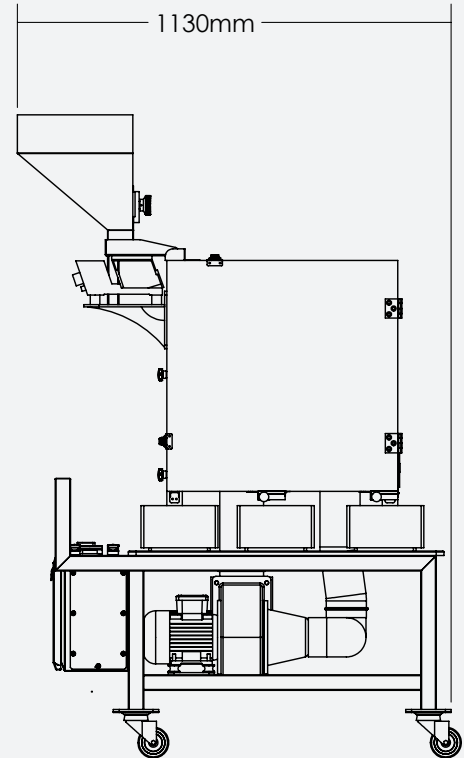


Seed Air Separator SD-6110

Utilizing this Seed Air Separator pre-cleaned vegetables and field crops undergo separation and classification based on their specific gravity, distinguishing heavy "good" seeds from lighter seeds and empty seeds. This device finds its ideal application in basic seed stations and breeding facilities, offering various benefits:



Features and Specifications:

- Elevate the quality of your valuable seeds.
- Achieve highly precise adjustments of the vibrating trough and ventilator.
- Rapid inspection and cleaning facilitated by a hinged door providing access to the air chamber.
- Operates silently, thanks to the frequency-controlled ventilator.

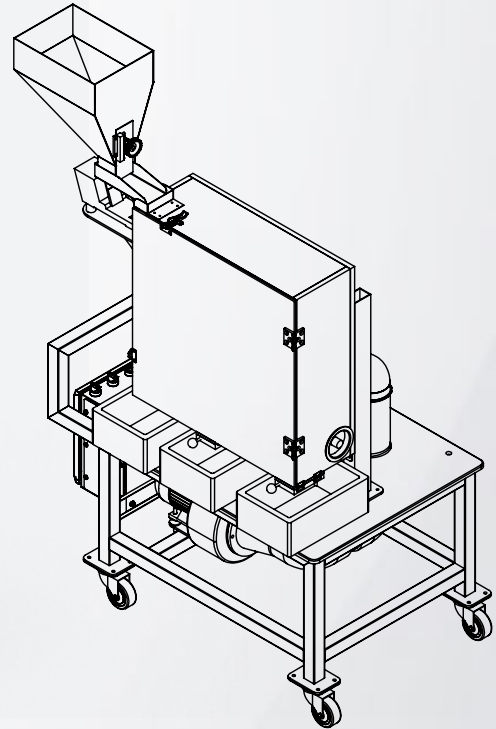
The machine is particularly well-suited for:

- *Processing fine seeds, ranging from celery to spinach.*
- *Handling large seeds, from squash seeds to corn.*
- *Meeting the needs of breeding and foundation seed stations.*





SEED AIR SEPARATOR SD-6110

**Capacity:**

± 100 gram - 4 kg seed* content inlet hopper
4 L (100% full)
Content one anti-static bin: ± 5 L

Dimensions:

1130 x 690 x 1670 mm (LxWxH)

Connections:**Noise emission:**

± 85 dB(A) (measured without product)

Materials:

Electrostatic dyed sheet metal and marine hardboard

Electrical connection

200- 240 V (± 5%), 1 phases + 0 and ground,
50 / 60 Hz (other values available on request)
Max. power consumption: 1,1kW
Connection value: 16 A

Weight:

Net: ± 120 kg
With Packaging: ± 150 kg

**Including:**

3 x anti-static bin (5 L)

Options:

Seed transfer pipes