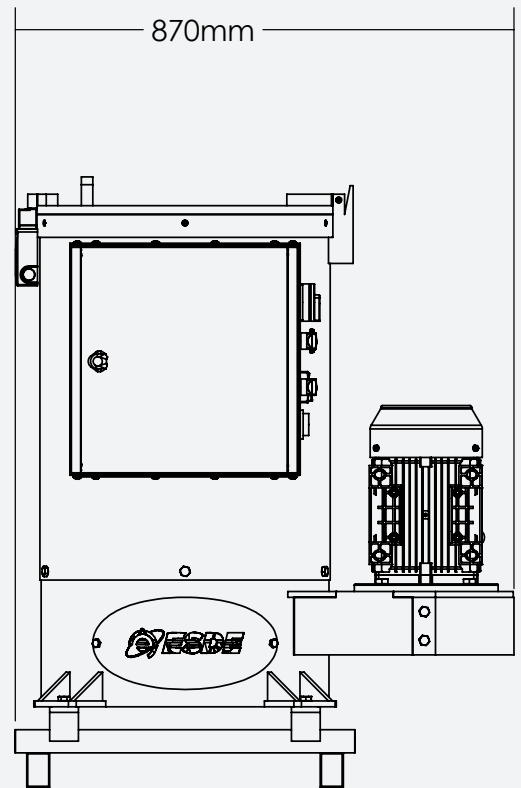


Seed Centrifuge

SD-4510

The Seed Centrifuge is utilized for centrifuging (spin drying) and rinsing moist seeds, including extracted, disinfected, imbibed, or primed seeds. This versatility renders the machine highly suitable for deployment in commercial processing plants.



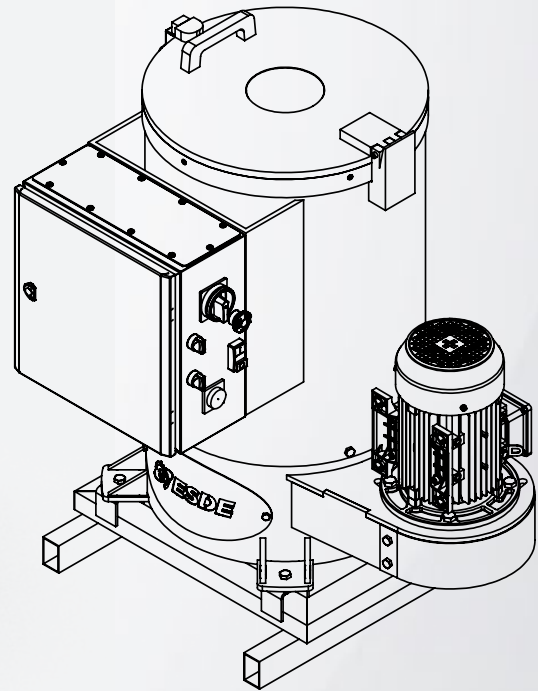
Key-Features:

- The machine's surfaces that come into contact with water are crafted from polypropylene PVC.
- The interior basket of the machine is constructed from CR-Ni 304 stainless steel.
- The machine's speed can be adjusted as needed.
- It incorporates a safety switch on the machine cover, ensuring it operates only when securely closed.
- The working time is adjustable, with a range between 10 seconds and 10 minutes, and the machine automatically stops at the end of the set time.
- To prevent machine vibrations, it is securely placed on a sturdy carafe.





SEED CENTRIFUGE MACHINE SD-4510



Capacity:

Maximum 20 kg of wet seeds in a seed basket,
Centrifuge variable in speed between 200 and 700 rpm.

Dimensions:

870 x 835 x 1060 mm (LxWxH)

Connections:

Drain connection 63 mm

Noise emission:

± 65 dB(A) (measured without product)

Materials:

Electrostatic paint and plastic

Electrical connection:

200- 240 V (± 5%), 1 phases + 0 and ground,
50/ 60 Hz (other values available on request)
Max. power consumption: 2.2 kW
Connection value: 16 A



Weight:

Net : ±160 kg and with packaging ± 200kg

Including:

1 Basket

Optional: