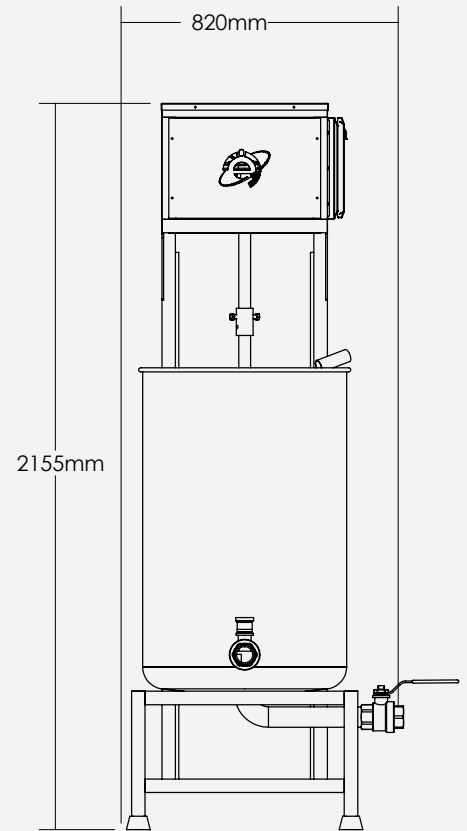


Seed Incubation & Disinfection

SD-3010

The effective separation of wet seeds significantly enhances purity following seed extraction. To separate seeds from the fruit flesh, particularly for tomatoes, melons, and cucumbers, it is necessary to ferment them in their own juices. To expedite this process, seed flesh incubation is accelerated using certain disinfectants such as caustic hydrochloric acid, which also disinfects the seeds. The incubation tank plays a crucial role in preparing the seeds for more homogeneous and faster washing. Thanks to its specialized design, it offers ergonomic usability during seed filling and unloading processes. Mixing adjustments can be made based on seed types using speed control.



Key-Features:

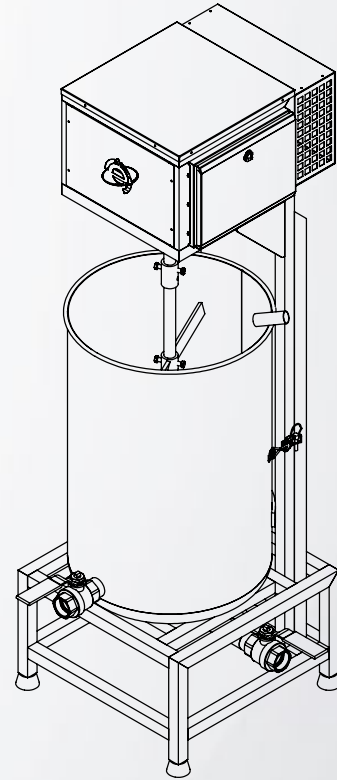
The incubation tank proves invaluable in preparing the seeds for subsequent washing, ensuring a more uniform and speedy process. Its specialized design enhances usability, particularly during seed filling and unloading procedures. Moreover, the mixing settings can be tailored to specific seed types, facilitated by speed control mechanisms, offering a comprehensive and efficient solution for seed processing.





SEED INCUBATION & DISINFECTION

SD-3010

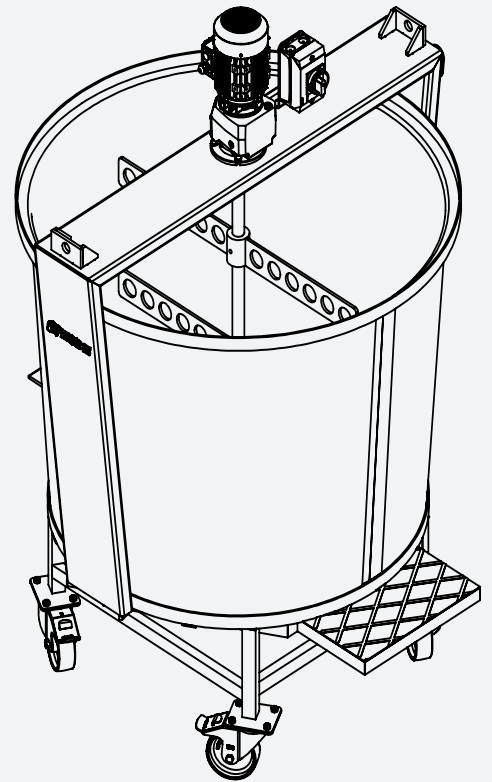


| | |
|---|--|
| Capacity: | |
| 250 L | |
| Dimensions: | Connections: |
| 900 x 820 x 2155 mm (LxWxH) | Drain connection 63 mm |
| Noise emission: | Materials: |
| ± 50 dB (A) (measured without product) | Stainless steel 304 |
| Electrical connection | |
| 200- 240 V (± 5%), 1 phases + 0 and ground, 50 / 60 Hz (other values available on request) Max. power consumption: 2.2 kW Connection value: 16 A | |
| CE | Weight: |
| | Net : ± 180 kg and with packaging ± 220 kg |
| Including: | Optional: |
| | |

Seed Incubation & Disinfection Tank

SD-3110

The separation of wet seeds plays a pivotal role in elevating seed purity following the seed extraction process. To effectively separate seeds from the surrounding fruit flesh, a crucial step involves fermenting them within their own juices, particularly for fruits like tomatoes, melons, and cucumbers. This fermentation process is further expedited by accelerating the seed flesh incubation with the use of minimal disinfectants, such as caustic hydrochloric acid, which also serves as a disinfectant.



Features:

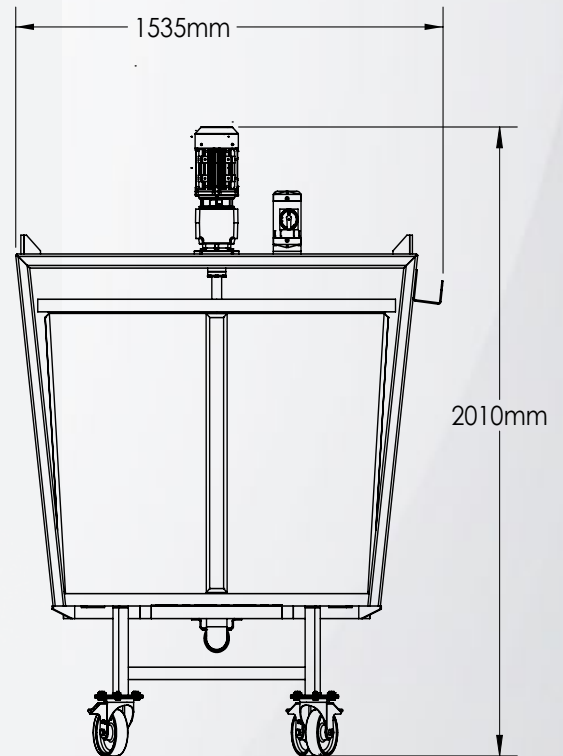
The incubation tank proves invaluable in preparing the seeds for subsequent washing, ensuring a more uniform and speedy process. Its specialized design enhances usability, particularly during seed filling and unloading procedures. Moreover, the mixing settings can be tailored to specific seed types, facilitated by speed control mechanisms, offering a comprehensive and efficient solution for seed processing.

- ✓ 304 quality cr ni complete chromenickel mixer pallets
- ✓ Electrostatic painted body structure
- ✓ All of our plastic tanks are resistant to acids.
- ✓ All our models can be fitted with a valve and outlet apparatus with the desired feature.
- ✓ It is produced from polyethylene, known as the tank food plastic raw material.





SEED INCUBATION & DISINFECTION TANK SD-3110

**Capacity:**

1000 L

Dimensions:

1535 x 1420x 2010 mm (LxWxH)

Connections:

Drain connection 75 mm

Noise emission:

± 50 dB(A) (measured without product)

Materials:

Electrostatic paint and plastics

Electrical connection:

380 -415 V (± 5%), 3 phases + 0 and ground,
50/ 60 Hz (other values available on request)
Max. power consumption: 2,2 kW
Connection value: 10 A

Weight:

Net : ± 250 kg and with packaging ± 310 kg

**Including:****Optional:**

Speed control unit