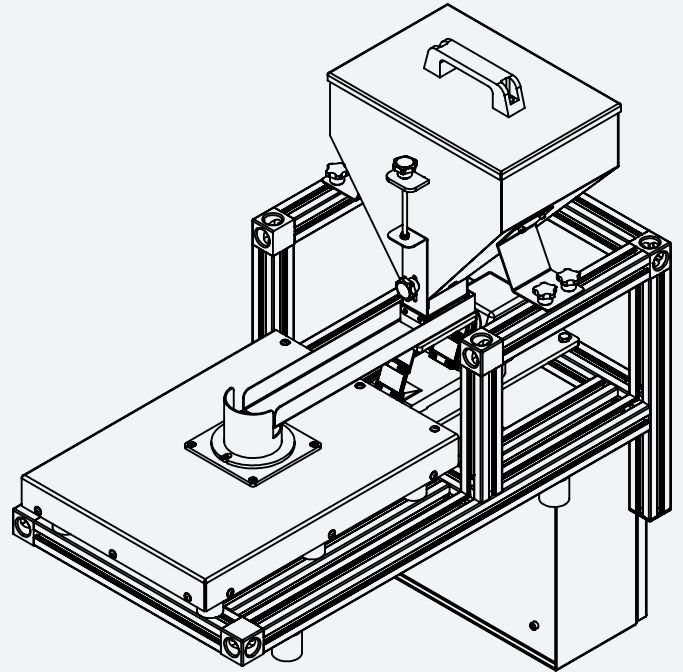


Seed Counting Machine

SD-14010

The Seed Counting Machine is meticulously designed to accurately count large quantities of seeds, making it the perfect solution for seed producers, traders, and plant breeders. This machine is essential for those whose daily production processes involve counting seeds of various sizes with both speed and precision.



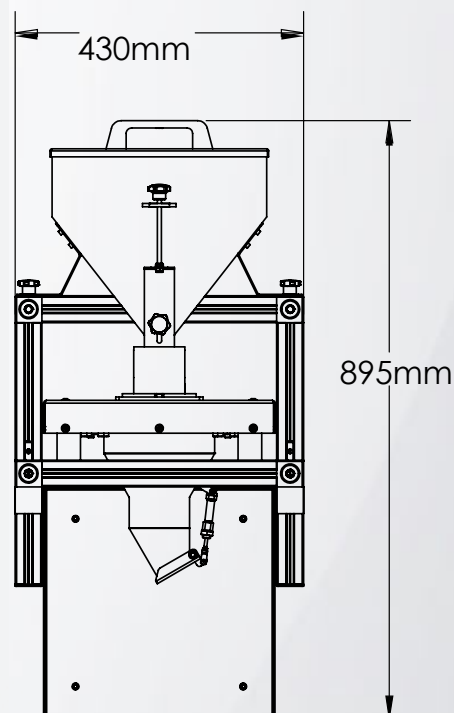
Benefits:

- Provides nearly 100% accuracy in counting.
- Saves both time and money.
- Offers significantly more advantages compared to weight-based packaging.
- Verifies product counts with precision, rather than estimates.
- Can be utilized for analyzing thousandth-seed weight.
- Features easy operation and a user-friendly interface.
- Provides cost-effective maintenance and effortless cleaning.



SEED COUNTING MACHINE

SD-14010



Capacity:

All seeds from 1 mm to 18 mm
Counting speed varies depending on seed selection
Example: 6000 tomatoes/ minute

Dimensions:

845 x 430 x 895 mm (LxWxH)

Control system:

Touch panel controlled

Noise emission:

± 75 dB (A)

Materials:

304-grade Cr-Ni stainless steel and aluminum

Electrical connection:

200- 220 V (± 5%), 1 phases + 0 and ground,
50/ 60 Hz (other values available on request)
Max. power consumption: 0,22kW
Connection value: 10 A

Weight:

Net : ± 120 kg
With Packaging : ± 140 kg



Including:

Options:

