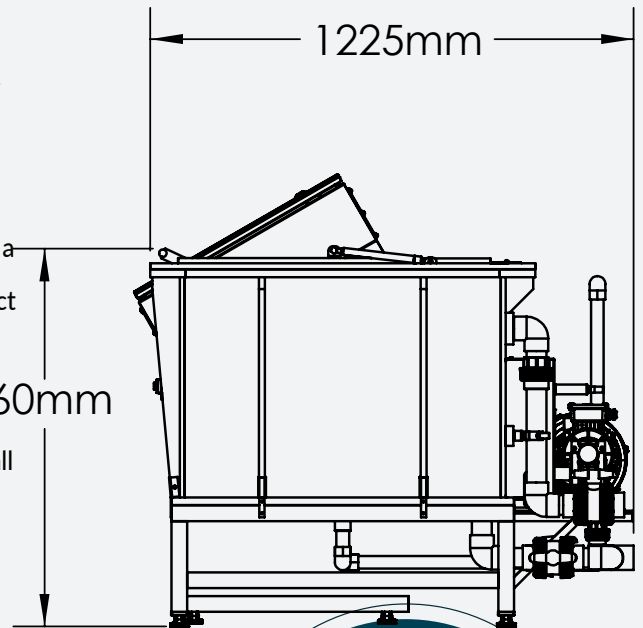




Max Disinfection Unit

SD-10030

Our advanced seed disinfection unit SD-10030 enables you to apply various liquid solutions to seeds, safeguarding them against bacterial infections and seed-borne diseases. Constructed primarily from synthetic materials, this unit demonstrates exceptional resistance to a broad range of chemicals, ensuring its durability even when in contact with chemical substances. The unit comprises three separate compartments, each outfitted with an individual lid, thoughtfully designed to prevent liquid splashes during operation. Furthermore, all flaps within the unit can easily connect to a dedicated air exhaust system, ensuring effective and proper ventilation of gases produced during the disinfection process.



Please check also our Disinfection Unit SD-10010 with 2 Baskets and lower capacity.

Benefits of the System:

- The spring cover ensures user-friendly operation.
- Seeds are consistently and reproducibly processed with uniform results.
- Each compartment significantly augments the total capacity to 74 L per drum (3 drums in total).
- Drums containing the seeds can be seamlessly used in subsequent steps without direct contact with the seeds.





MAX DISINFECTION UNIT SD-10030



Please check also our
Disinfection Unit
SD-10010 with
2 Baskets and lower
capacity.

Capacity, processing, and cleaning times:

3 Basket with each 74 L

Dimensions:

1645 x 1225 x 960 mm (LxWxH)

Connections:

Water connection 35 mm
Drain connection 50 mm

Noise emission:

± 55 dB(A) (measured without product)

Materials:

Stainless steel 304 and plastics

Electrical connection:

320 - 400 V (± 5%), 3 phases + 0 and ground,
50/ 60 Hz (other values available on request)
Max. power consumption: 0.75 kW
Connection value: 10 A

Weight:

Net: ± 330kg
With packaging: ± 378kg



Including:

3 x Basket
Blowers

Optional:

Heating system